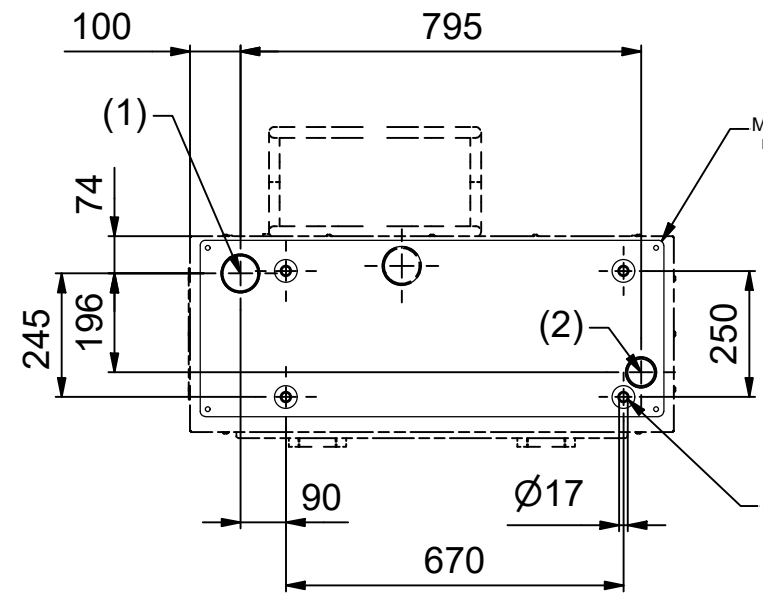


(1) pressure pipe waste water  
PE Ø 63 mm x 5,8 mm SDR11

(2) cable conduit  
DN 40  
minimum cable length: 1,5 m  
above the top edge of finished floor level

**service access**  
Attention: recommended space required  
for service work W = 1000 mm

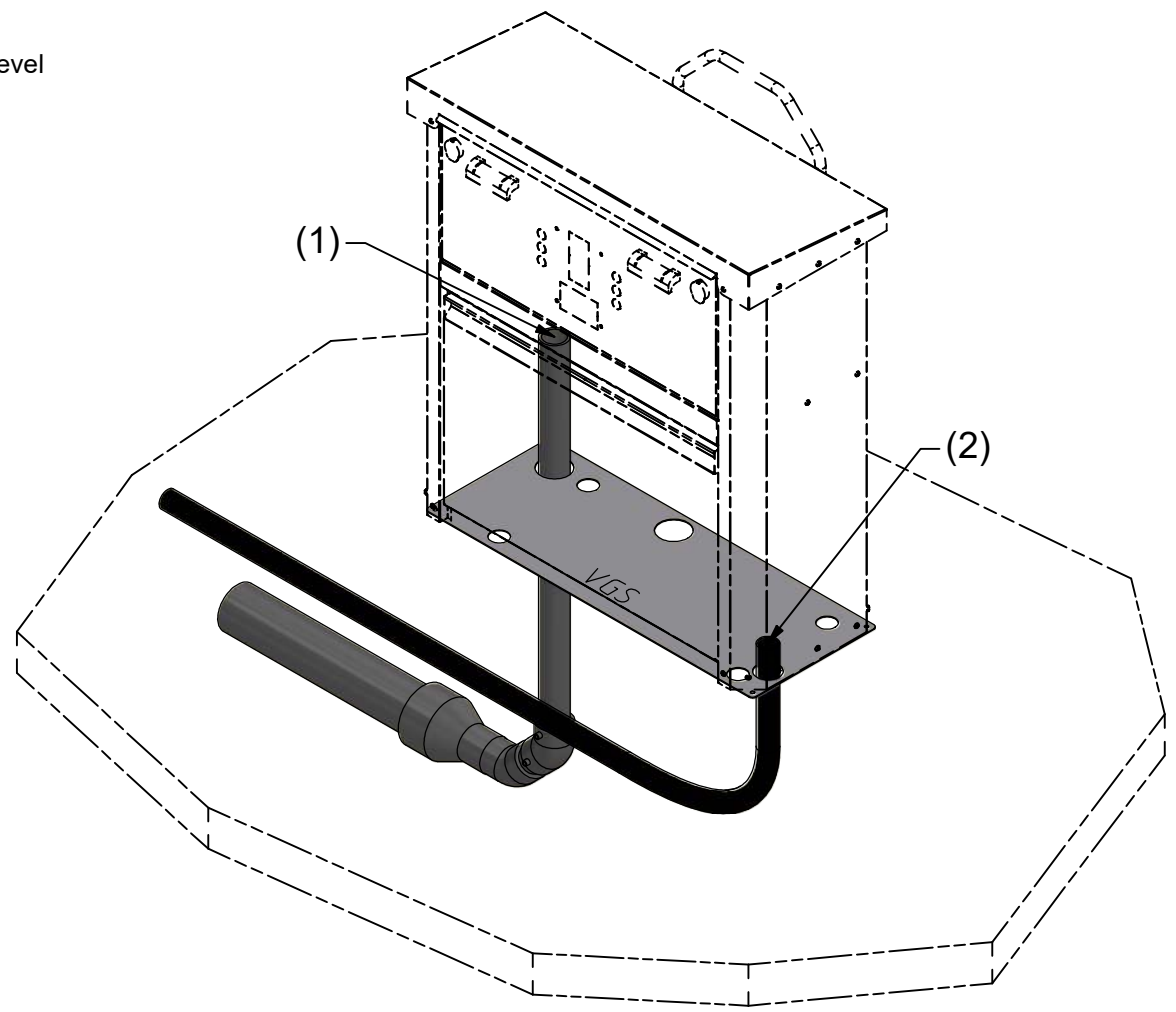


pipe position aid  
May remain in the concrete, then  
must be covered with concrete.  
GYO0105

holes for  
mounting screws  
with dowels

**service access**  
Attention: recommended space required  
for service work W = 1000 mm

**operator access**  
Attention: recommended space required  
for service work W = 1200 mm



**Installation notes:**  
Pipes must be installed in perpendicular orientation  
to the base frame surface!  
Use straight pipe material only!  
For branch connections of vacuum and pressure lines  
waste water only use ≤ 45° bends!  
Foundation must be based on a suitable and stable bedding  
below frost level.

**\*Please note:**  
Dimensioning of the main Pipework system must be based on  
the design and operational conditions of the  
respective subsystem.  
Applicable standards and regulations as well as the  
recommendations of the manufacturer are to be considered  
within the execution planning by the main contractor.  
Water-bearing pipes laid in zones exposed to critical  
temperatures must be protected by appropriate  
technical measures (e.g. insulation / heat tracing).

Do not scale!  
Shown dimensions in mm.  
Technical changes reserved!  
In the case of undetermined or missing data  
contact Vogelsang GmbH & Co. KG.

Keine Fertigungsfreigabe		<b>VOGELANG</b>
<b>© Vogelsang GmbH &amp; Co. KG</b>		
D 49632 Essen (Oldb.) Tel.: +49(0)5434 83-0 Fax: +49(0)5434 8310 www.vogelsang.info		Version: A00 <b>Rohrverlegung (a) PierPump</b>
		IB2212882 <b>S160/B160</b>
		Name: Raker Stand: 25.08.2022